

RPD PolyDrives



The Ridder PolyDrive (RPD) is a maintenance-free, compact lightweight motor gearbox to operate ventilation systems and screen systems in poly greenhouses, livestock houses and crop-storage buildings. The easy-to-install RPD motor-gearboxes are enclosed in a housing with a sealed limit-switch system that has a high protection rating of IP55. The RPD motor gearboxes are designed to operate at ambient temperatures between 0 and 60 °C.

The low-noise PolyDrive motor gearbox has a gearwheel transmission and a worm wheel transmission, which are integrated in an aluminium precision housing. The self-braking worm wheel transmission ensures that the drive shaft is locked when the reduction gearbox is not running. The fully sealed reduction gearbox has an expansion chamber with a diaphragm to keep the gear oil at a low pressure under all circumstances, even at high temperatures. Thanks to the use of an expansion chamber, the PolyDrive can be installed in any position. There are no restrictions, because there is no need for a bleed plug. The sealed reduction gearbox keeps the gear oil of the PolyDrive in optimal condition for its entire operating lifetime. The PolyDrive is suitable for discontinuous use, operating class s3-35%, with a maximum activation time of 25 minutes.

All PolyDrive motor gearboxes are available with 3-phase, 400 V standard motors (EN 50347). The 150 Nm and 3 rpm PolyDrive motor gearboxes are also available with 3-wire, 1-phase 230 V or 120 V electric motors. The PolyDrive motors have a hexagon in the motor shaft so that the motor gearbox can be driven manually in the event of a power cut.

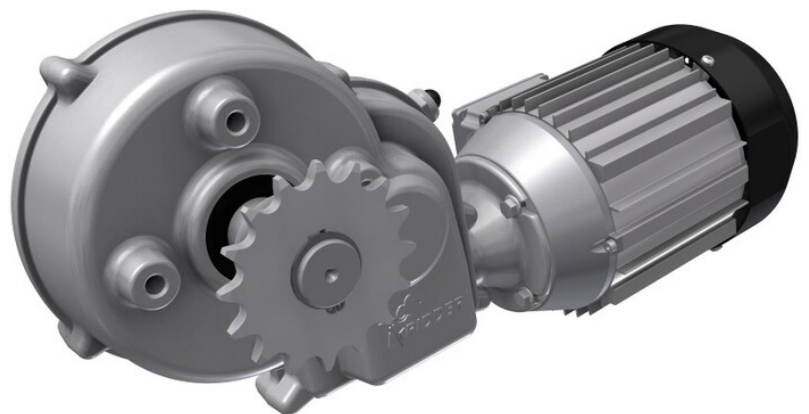
The RPD drive units are equipped with a linear limit-switch system with duty switches and safety switches. The limit-switch system is, with a transmission, driven by the intermediate shaft of the motor gearbox. The limit-switch system is installed in an integrated chamber and is enclosed by an impact-resistant plastic cover. The limit-switch system is accessible and easy to adjust. The limit-switch system's maximum switching range is 36 or 57 revolutions of the drive shaft. The cabling is connected in spring-clip connections. The PolyDrive has an M16 x 1.5 cable gland (5-9 mm cable) for the cable feed-through.

The PolyDrive can be optimally controlled by the Ridder MotorControl RMC400. This control system continuously controls, inspects and protects the PolyDrive.

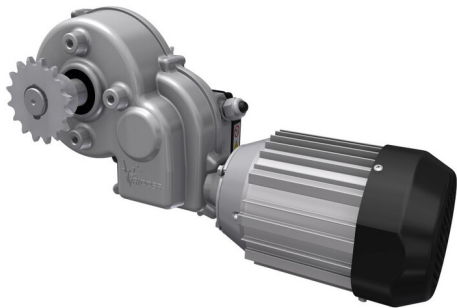
The PolyDrive comes with 16 teeth 5/8"x3/8" sprockets, keys and fasteners. The accompanying chain couplings and assembly plates are available as accessories.

Ridder PolyDrive RPD:

- A drive torque of 150 Nm, 300 Nm or 450 Nm.
- Rotational speeds of 3 or 5 rpm for a mains frequency of 50 Hz or 3.6 or 6 rpm for a mains frequency of 60 Hz.
- Protection rating IP55.
- Can be used in ambient temperatures of 0-60°C.
- Suitable for discontinuous use, operating class s3-35%, maximum activation time 25 minutes.
- Equipped as standard with 16-tooth galvanised chain coupling 5/8"x3/8".
- RPD150, 300 and 450 available with 3-phase, 400 V standard motors (EN 50347).
- RPD150, 300 and 450 available with 3-phase wide voltage electric motors with CSA and/or UL approval, 208-415 V at 50/60 Hz, 415-480V at 60 Hz.
- RPD150 / 3 rpm also available with 3-wire, 1-phase 230 V or 120 V electric motors.
- Optionally controlled by Ridder MotorControl RMC400.



RPD PolyDrives



Item no.	Description	[m]	[M] 50Hz	[n] 50Hz	[M] 60Hz	[n] 60Hz	EM	F -	CCC C/U	EM nr
		kg	Nm	/min	Nm	/min				
506110	RPD150-3-18\400\36\3C\5/8-16	15,0	150	3	150	3,6	K	3	CCC	754021
506310	RPD150-5-25\400\57\3C\5/8-16	16,0	150	5	150	6	K	3	CCC	754031
506340	RPD150-5-25\208-480\57\P\CU\5/8-16	16,3	150	5	150	6	L	3	CU	764022
506250	RPD150-3.6-18\120\36\CU\5/8-16	19,0			150	3,6	F	1	CU	761219
506210	RPD150-3-18\230\36\5/8-16	15,0	150	3	150	3,6	D	1		761018
506410	RPD150-5-25\230\57\CU\5/8-16	15,0	150	5	150	6	E	1	CU	761024
506120	RPD300-3-25\400\36\3C\5/8-16	16,0	300	3	300	3,6	K	3	CCC	754031
506150	RPD300-3-25\208-480\36\P\CU\5/8-16	18,5	300	3	300	3,6	L	3	CU	764022
506320	RPD300-5-37\400\57\3C\5/8-16	17,6	300	5	300	6	K	3	CCC	754041
506350	RPD300-5-37\208-480\57\P\CU\5/8-16	17,0	300	5	300	6	B	3	CU	764032
506260	RPD300-3.6-25\120\36\CU\5/8-16	15,0			300	3,6	G	1	CU	761222
506450	RPD300-6-37\120\57\CU\5/8-16	18,0			300	6	G	1	CU	761232
506220	RPD300-3-25\230\36\CU\5/8-16	18,5	300	3	300	3,6	E	1	CU	761024
506420	RPD300-5-37\230\57\OC\C\5/8-16	19,6	300	5	300	6	E	1	C	761032
506130	RPD450-3-37\400\36\3C\5/8-16	17,8	450	3	450	3,6	K	3	CCC	754041
506160	RPD450-3-37\208-480\36\P\CU\5/8-16	15,7	450	3	450	3,6	B	3	CU	764032
506290	RPD450-3.6-44\600\36\CU\5/8-16	15,7			450	3,6	C	3	CU	763632
506270	RPD450-3.6-37\120\36\CU\5/8-16	18,0			450	3,6	G	1	CU	761232
506230	RPD450-3-37\230\36\OC\C\5/8-16	19,5	450	3	450	3,6	E	1	C	761032

RPD PolyDrives

